



Carbon Monoxide Alarm **Alarma de Monóxido de Carbono**

10-Year Sealed Battery Operated
Operada por una batería sellada de 10 años

User Manual
Manual de usuario

Model: CD03/CD04/CD06



Conforms with UL 2034 standard

Email: support@x-sense.com

X-Sense Innovations Co., Ltd.

Contents

English 01-20

Español 21-40

English

This user manual contains important information about your carbon monoxide alarm's operation. To ensure proper use and trouble-free operation, please read this manual carefully and store it in a safe place for future reference.

Package Contents

- 1 × Alarm Unit
- 1 × Mounting Bracket
- 3 × Screws
- 3 × Anchor Plugs
- 1 × User Manual
- 1 × Warranty Card
- 2 × Carbon Monoxide Safety Stickers

Introduction

All X-Sense carbon monoxide alarms conform with the UL 2034 Standard and are designed to detect carbon monoxide.

Carbon monoxide (CO) is odorless, tasteless and invisible – it's a silent killer. Using electrochemical sensing technology, this unit can detect increased levels of carbon monoxide early, protecting your family from the dangers of carbon monoxide.

Note: For maximum protection, use CO alarms on each level and in every bedroom of your home.

NEVER IGNORE THE SOUND OF THE ALARM!

Determining what type of alarm has sounded is easy with your X-Sense Carbon Monoxide Alarm. The alarm sounder will inform you of the type of situation occurring.



WARNING:

Actuation of your CO Alarm indicates the presence of Carbon Monoxide (CO) which can kill you.

When the Carbon Monoxide Alarm Sounds:

- (1) Operate the test/reset button.
- (2) Call your emergency services (Fire Dept. or 911).

PHONE NUMBER

(3) Immediately move to fresh air - outdoors or by an open door/window. Do a head count to check that all persons are accounted for. Do not reenter the premises nor move away from the open door/ window until the emergency services responders have arrived, the premises has been aired out, and your alarm remains in its normal condition.

- (4) After following steps 1-3, if your alarm reactivates within a 24-hour period, repeat steps 1-3 and call a qualified appliance technician to investigate for sources of CO from fuel-burning equipment and appliances, and inspect for proper operation of this equipment. If problems are identified during this inspection have the equipment serviced immediately. Note any combustion equipment not inspected by the technician and consult the manufacturer's instructions, or contact the manufacturer directly, for more information about CO safety and this equipment. Make sure that motor vehicles are not, and have not been, operating in an attached garage or adjacent to the residence.

PHONE NUMBER

Technical Specifications

Power source	10-year sealed lithium battery
Sensor type	Electrochemical
Product life	About 10 years
Safety standards	Conforms with UL 2034 standard
CO sensitivity	70 ppm: 60-240 minutes
	150 ppm: 10-50 minutes
	400 ppm: 4-15 minutes
Standby current	< 6 μ A (avg.)
Alarm current	< 60 mA (avg.)
Best operating ambient temperature	40-100 °F (4.4-37.8 °C)
Operating relative humidity	≤ 85% RH (non-condensing)
Alarm loudness	≥ 85 dB at 9.84 ft (3 m) @ 3.2 ± 0.3 kHz pulsing alarm
Silence duration	≤ 6 minutes

Product Overview



THIS CO ALARM IS DESIGNED FOR INDOOR USE ONLY. DO NOT EXPOSE TO RAIN OR MOISTURE. DO NOT KNOCK OR DROP THE ALARM. DO NOT OPEN OR TAMPER WITH THE ALARM AS THIS COULD CAUSE MALFUNCTION.

Test & Silence Button

The Test & Silence button is used to test the unit's electronics and to silence the unit during an alarm. When testing the alarm weekly, press the test button until you hear a short beep, indicating that the alarm has entered the test mode.

Note: After a test has begun, the alarm will sound and the red LED will flash. This does not indicate that CO is present.

If you press the test button during an alarm state, the unit will enter the silence mode.

CO silence mode: press the test button during an alarm state, the unit will enter the silence mode. If the CO density still exceeds the alarm threshold within 6 minutes, the unit will enter another alarm state. Otherwise, the unit will exit from silence mode after 9 minutes.

Note: If the CO concentration has reached an alarm level, silence mode cannot be enabled. This unit will continue to alarm until the CO concentration has decreased to a low level.

Alarm Sounder

The alarm will sound when there is CO present, when testing the alarm, and when there is a fault.

LED Indicator

The LED indicator will flash in conjunction with the alarm sounder. Therefore, it will flash during the following states: when powering on, in standby mode, during CO alarm states, when exiting an alarm state, during test mode, when there is low battery, in silence mode, when there is a fault and when the unit is at the end of its life.

Low Battery

The LED indicator will flash yellow together with one beep every 60 seconds.

THE UNIT MUST BE DEACTIVATED (see "Deactivation of the Alarm" section) AND REPLACED AS SOON AS POSSIBLE.

(If you press the test button when there is low battery, the low battery signal will temporarily cease for 10 hours; if you press the test button again, the unit will enter the test mode and then the standby mode.)

End of Life

Once the maximum lifetime (10 years) is reached, the alarm delivers 2 beeps and the LED indicator will flash yellow twice every 30 seconds. This end-of-life signal can be temporarily silenced for 3 days by pressing the test button.

The end-of-life silence feature can only be used for a total of 30 days. After 30 days, the end-of-life signal cannot be silenced.

Different working modes and states are shown in the below table:

Mode	LED Indicator	Audible Alarm	Remarks
Powering on	Blinks 8 cycles (red/green/yellow) in sequence.	None.	
Standby mode	Flashes green once every 60 seconds.	None.	
Alarm mode	First 4 minutes: flashes red 4 times every 5.8 seconds. After 4 minutes: flashes red 4 times every 60 seconds.	First 4 minutes: 4 quick beeps every 5.8 seconds. After 4 minutes: 4 quick beeps every 60 seconds.	
	Flashes green once every second for 5 seconds.	None.	Exiting an alarm: When the CO concentration drops below the alarm threshold, the alarm signal stops.
Test mode	2 sets of 4 red flashes.	2 sets of 4 quick beeps.	
Silence mode	Flashes red once every 5 seconds.	None.	After 9 minutes, the unit will exit silence mode.
	Flashes green 3 times.	None.	Exiting silence mode.

Low battery	Flashes yellow once every 60 seconds.	One beep every 60 seconds.	
Fault	Flashes yellow 1-4 times every 40 seconds.	2 beeps every 40 seconds.	
End of life	Flashes yellow 2 times every 30 seconds.	2 beeps every 30 seconds.	

Basic Safety Information

IMPORTANT!

1. DANGERS, WARNINGS, AND CAUTIONS ALERT YOU TO IMPORTANT OPERATING INSTRUCTIONS OR TO POTENTIALLY HAZARDOUS SITUATIONS. PAY SPECIAL ATTENTION TO THESE SITUATIONS.
2. THIS CARBON MONOXIDE ALARM IS ONLY APPROVED FOR HOME USE.
3. THIS CARBON MONOXIDE ALARM IS DESIGNED TO DETECT CARBON MONOXIDE FROM ANY SOURCE OF COMBUSTION.
4. CONSTANT EXPOSURES TO HIGH OR LOW HUMIDITY MAY REDUCE BATTERY LIFE.

CAUTION!

THE CARBON MONOXIDE ALARM IS NOT DESIGNED TO DETECT FIRE OR ANY OTHER GAS. IT WILL ONLY INDICATE THE PRESENCE OF CARBON MONOXIDE GAS AT THE SENSOR. CARBON MONOXIDE GAS MAY BE PRESENT IN OTHER AREAS.

WARNING!

1. NEVER IGNORE ANY ALARM. FAILURE TO RESPOND CAN RESULT IN SERIOUS INJURY OR DEATH.
2. THE SILENCE FEATURE IS ONLY FOR YOUR CONVENIENCE AND WILL NOT CORRECT A PROBLEM. ALWAYS CHECK YOUR HOME FOR A POTENTIAL PROBLEM AFTER ANY ALARM. FAILURE TO DO SO CAN RESULT IN INJURY OR DEATH.
3. TEST THIS CO ALARM ONCE A WEEK. IF THE ALARM EVER FAILS TO TEST CORRECTLY, REPLACE IT IMMEDIATELY! IF THE ALARM CANNOT WORK PROPERLY, IT WILL NOT ALERT YOU TO A PROBLEM.
4. THIS PRODUCT IS INTENDED FOR USE IN ORDINARY INDOOR LOCATIONS OF FAMILY LIVING UNITS. IT IS NOT DESIGNED TO MEASURE CO LEVELS IN COMPLIANCE WITH OCCUPATIONAL SAFETY AND HEALTH ADMINISTRATION (OSHA) COMMERCIAL OR INDUSTRIAL STANDARDS. INDIVIDUALS WITH MEDICAL CONDITIONS THAT MAY MAKE THEM MORE SENSITIVE TO CARBON MONOXIDE MAY CONSIDER USING WARNING DEVICES WHICH PROVIDE AUDIBLE AND VISUAL SIGNALS FOR CARBON MONOXIDE CONCENTRATIONS UNDER 30 PPM. FOR ADDITIONAL INFORMATION ON CARBON MONOXIDE AND YOUR MEDICAL CONDITION CONTACT YOUR PHYSICIAN.

5. THE REPLACEMENT DATE THAT APPEARS ON THE DEVICE IS THE DATE BEYOND WHICH THE DEVICE MAY NO LONGER DETECT CARBON MONOXIDE ACCURATELY AND SHOULD BE IMMEDIATELY REPLACED.

6. THIS DEVICE IS DESIGNED TO PROTECT INDIVIDUALS FROM THE ACUTE EFFECTS OF CARBON MONOXIDE EXPOSURE. IT MAY NOT FULLY SAFEGUARD INDIVIDUALS WITH SPECIFIC MEDICAL CONDITIONS. IF IN DOUBT, CONSULT A MEDICAL PRACTITIONER.

Installation Instructions

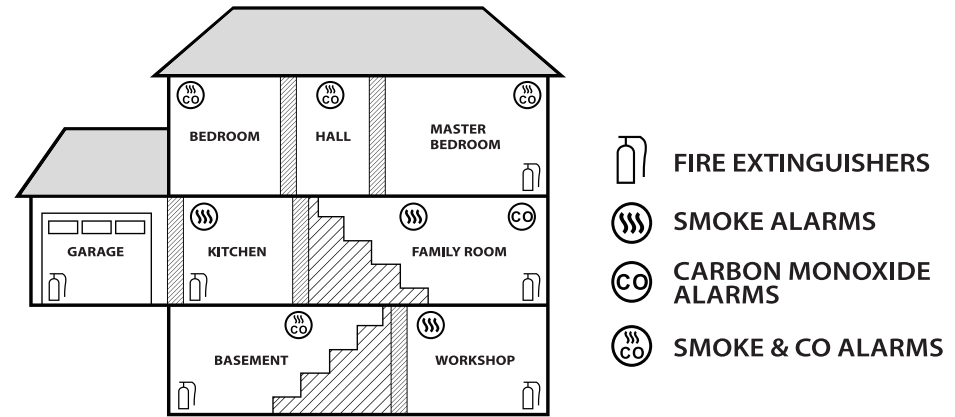
When choosing your installation location, make sure you can hear the alarm from all sleeping areas. If you install only one CO alarm in your home, install the alarm near to all bedrooms where possible, and not in a basement or furnace room.

1. A CO alarm should be centrally located outside of each sleeping area in the immediate vicinity of all bedrooms. For added protection, install additional CO alarms in each separate bedroom and on each level of your home.
2. If your bedroom hallway is longer than 40 feet (12 meters), install a CO alarm at both ends of the hallway.
3. In a single-level house, install at least one CO alarm near or within each separate sleeping area. For added protection, install an additional CO alarm at least 20 feet (6 meters), away from any furnace or fuel burning heat source.
4. In multi-level houses, in addition to (3) above, install at least one CO alarm near or within each separate sleeping area. For added protection, install at least one CO alarm on each level of the house. If you have a basement, install a CO alarm at the top of the basement stairs.

Recommended Placement



1. THIS ALARM SHOULD BE INSTALLED BY A COMPETENT PERSON.
2. INSTALLATION OF THE ALARM SHOULD NOT BE USED AS A SUBSTITUTE FOR PROPER INSTALLATION, USE AND MAINTENANCE OF FUEL BURNING APPLIANCES INCLUDING APPROPRIATE VENTILATION AND EXHAUST SYSTEMS.



Note: Kitchens should be installed with smoke alarms which have the silence mode.

How to Install This Alarm

IMPORTANT!

THIS CO ALARM IS DESIGNED TO BE MOUNTED ON THE CEILING OR WALL.

WARNING!

FAILURE TO PROPERLY INSTALL AND ACTIVATE THIS ALARM WILL PREVENT PROPER OPERATION OF THE ALARM AND WILL PREVENT ITS RESPONSE TO CO.

Locations to Avoid

WARNING - This product is intended for use in ordinary indoor locations of family living units. It is not designed to measure compliance with the Occupational Safety and Health Administration (OSHA) commercial or industrial standards.

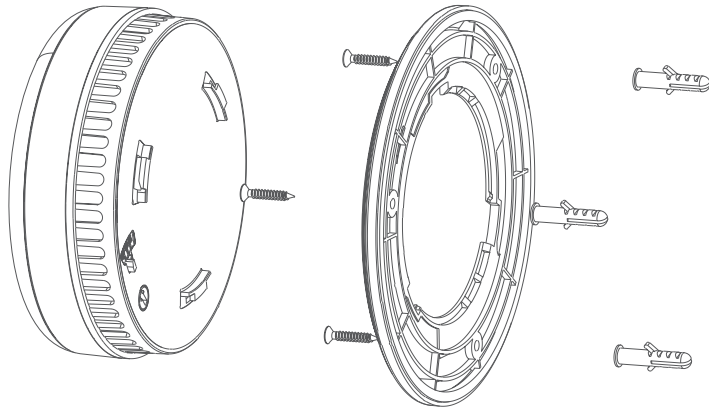
1. Do not install in garages, kitchens, furnace rooms or bathrooms! Do not install within 5 ft (1.5 m) of cooking appliances.
2. Do not install within 3 ft (0.9 m) of the following: The door to a kitchen, or a bathroom that contains a tub or shower, forced air supply ducts used for heating or cooling, ceiling or whole house ventilating fans, or other high air flow areas. Avoid excessively dusty, dirty or greasy areas. Dust, grease or household chemicals can contaminate the alarm's sensors, causing the alarm to not operate properly.

3. Place the alarm where drapes or other objects will not block the sensors. CO must be able to reach the sensors to accurately detect these conditions. Do not install in peaks of vaulted ceilings, "A" frame ceilings or gabled roofs. Keep out of damp and humid areas.
4. Install at least one (1) foot away from fluorescent lights, as electronic noise may cause nuisance alarms. Do not place in direct sunlight and keep out of insect-infested areas. Extreme temperatures will affect the sensitivity of the CO alarm. Do not install in areas where the temperature is colder than 40 °F (4.4 °C) or hotter than 100 °F (37.8 °C), such as garages and unfinished attics. Do not install in areas where the relative humidity (RH) is above 85%. Place away from doors and windows that open to the outside.

Mounting Steps

1. Drill three Ø 6.0 mm holes in the wall or ceiling, then insert three plastic anchor plugs into the holes with a hammer.
2. Attach the mounting bracket to the surface of the wall or ceiling with three screws and mount the alarm into the bracket by pushing them together and twisting the unit clockwise.
3. Test the unit by using the Test/Silence button. Ensure the unit sounds in an alarm pattern.

Note: This model is equipped with a feature that automatically activates the alarm when the alarm is attached to the mounting bracket for the first time.



Deactivation of the Alarm

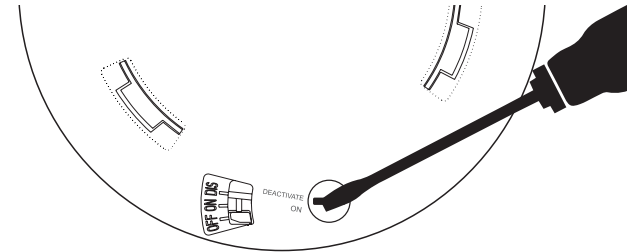
WARNING!

1. DO NOT DEACTIVATE THE ALARM UNIT UNTIL THE END-OF-LIFE SIGNAL HAS BEEN HEARD.
2. ONCE THE MAXIMUM LIFETIME (10 YEARS) IS REACHED, THE ALARM DELIVERS 2 BEEPS EVERY 30 SECONDS.
3. ONCE THE ALARM IS DEACTIVATED, IT WILL NO LONGER FUNCTION. IT CANNOT BE REACTIVATED AND MUST BE REPLACED.

To Deactivate the Alarm

Pressing the Test/Silence button can silence the end-of-life signal for up to 3 days.

1. Peel back the shaded label obstructing the "DIS" setting, and break the thin plastic guard, as below.
2. Twist the plastic pin upwards to the "DIS" position or insert a screwdriver into the slot and turn the dial clockwise to the "DIS" position.
3. Dispose of the alarm.
4. Replace the alarm.



Weekly Test

WARNING!

1. NEVER USE AN OPEN FLAME OF ANY KIND TO TEST THIS UNIT. YOU MIGHT ACCIDENTALLY DAMAGE OR SET FIRE TO THE UNIT OR TO YOUR HOME.
2. NEVER USE A VEHICLE EXHAUST TO TEST THIS UNIT. EXHAUST FUMES MAY CAUSE PERMANENT DAMAGE AND VOID YOUR WARRANTY.
3. DO NOT STAND CLOSE TO THE ALARM WHEN THE ALARM IS SOUNDING. EXPOSURE AT CLOSE RANGE MAY BE HARMFUL TO YOUR HEARING. WHEN TESTING, STEP AWAY WHEN THE ALARM BEGINS TO SOUND.

Maintenance

To keep your CO alarm in good working order, follow these simple steps:

1. Verify the unit's alarm sound and indicators are working properly by testing the unit once a week.
2. Remove the unit from the ceiling/wall and clean the alarm cover and vents with a soft brush attachment once a month to remove dust and dirt.
3. Never use detergents or other solvents to clean the unit.
4. Avoid spraying air fresheners, hair spray or other aerosols near the alarm.
5. Do not paint the unit. Paint will seal the vents and interfere with the sensor's ability to detect CO. Never attempt to disassemble the unit or clean inside. Doing so will void your warranty.
6. When removed, place the CO alarm back in its proper location as soon as possible, to assure continuous protection from fire or carbon monoxide poisoning.
7. When household cleaning supplies or similar contaminants are used, the area should be ventilated.

If the CO Alarm Sounds

1. Keep calm and immediately move to fresh air. Open all doors and windows to increase the rate of ventilation. Stop using all fuel-burning appliances and ensure, if possible, that they are turned off, e.g. for gas appliances, isolate the emergency control valve.
2. If the alarm continues to be activated, then evacuate the premises. Leave the doors and windows open, and only re-enter the building when the alarm has stopped. In multi-occupancy and multi-storey premises, ensure that all the occupants are alerted to the risk.

3. Get medical help for anyone suffering the effects of carbon monoxide poisoning, and advise that carbon monoxide inhalation is suspected.
4. Telephone the appropriate appliance servicing and/or maintenance agency or, when necessary, the relevant fuel supplier on their emergency number or the national Gas Emergency Service Provider, if appropriate, so that the source of carbon monoxide emissions can be identified and corrected. Unless the reason for the alarm is obviously spurious, do not use the fuel-burning appliances again, until they have been checked and cleared for use by a competent person according to national regulations.

What You Need to Know About CO

CO cannot be seen, smelled or tasted and can be fatal. The build-up of CO in the blood is called the carboxyhemoglobin (COHb) level and interferes with the body's ability to supply itself with oxygen. Depending on the concentration, CO can kill in minutes. The most common sources of CO are malfunctioning gas appliance used for heating and cooking, vehicles running in an attached garage, blocked chimneys or flues, portable fuel burning heaters, fireplaces, fuel powered tools and operating a grill in an enclosed space.

Indications of carbon monoxide poisoning include symptoms similar to the flu, but with no fever. Other symptoms include dizziness, fatigue, weakness, headache, nausea, vomiting, sleepiness and confusion. Everyone is susceptible to the danger of CO, but experts agree that unborn babies, small children, pregnant women, senior citizens and people with heart or respiratory problems are at the highest risk for serious injury or death. Every year a qualified technician should inspect and clean your heating system, vents, chimney, and flues.

The following symptoms are related to carbon monoxide poisoning and should be discussed with all members of the household:

Mild exposure: Slight headache, nausea, vomiting, fatigue (often described as "Flu-like" symptoms).

Medium exposure: Severe throbbing headache, drowsiness, fast heart rate.

Extreme exposure: Unconsciousness, cardiorespiratory failure, death.

The above levels of exposure relate to healthy adults. Levels differ for those at high risk. Exposure to high levels of carbon monoxide can be fatal or cause permanent damage and disabilities. Many cases of reported carbon monoxide poisoning indicate that while victims are aware they are not well, they become so disoriented they are unable to save themselves by either exiting the building, or calling for assistance. Also, young children and household pets may be the first effected. Familiarization with the effects of each level is important.

The Following Conditions Can Result In Transient CO Situations:

- Excessive spillage or reverse venting of fuel-burning appliances caused by outdoor ambient conditions, such as wind direction and/or velocity, including high gusts of wind, heavy air in the vent pipes (cold/humid air with extended periods between cycles).
- Negative pressure resulting from the use of exhaust fans.
- Simultaneous operation of several fuel-burning appliances competing for limited internal air.
- Vent pipe connections vibrating loose from clothes dryers, furnaces, or water heaters.
- Obstructions in, or unconventional, vent pipe designs which can amplify the above situations.
- Extended operation of unvented fuel-burning devices (range, oven, fireplace, etc.).
- Temperature inversions which can trap exhaust gases near the ground.
- A car idling in an open or closed attached garage, or near a home.

Consumer Product Safety Commission

The Consumer Product Safety Commission (CPSC) recommends the use of at least one CO Alarm per household, located near the sleeping area.

Manufacturer and Service Information

X-Sense Innovations Co., Ltd.

Address: B4-503-D, Tower B, Kexing Science Park, No. 15 Keyuan Road,
Technology Park Community, Yuehai Avenue, Nanshan District, Shenzhen,
518057, CHINA

Email: support@x-sense.com

Español

Este manual del usuario contiene información importante sobre el funcionamiento de su alarma de monóxido de carbono. Para garantizar uso adecuado y operación sin problemas, por favor lea este manual atentamente y consérvelo en un lugar seguro para su referencia futura.

Contenidos del Paquete

- 1 × Unidad de Alarma
- 1 × Soporte de Montaje
- 3 × Tornillos
- 3 × Tapones de Anclaje
- 1 × Manual de Usuario
- 1 × Tarjeta de garantía
- 2 × Etiquetas adhesivas de los riesgos del monóxido de carbono

Introducción

Todas las alarmas de monóxido de carbono X-Sense cumplen con la norma UL 2034 y están diseñadas para detectar monóxido de carbono. Monóxido de Carbono (CO) es inodoro, insípido e invisible – es un asesino silencioso. Usando tecnología sensible electroquímica, esta unidad puede detectar aumentos de niveles de monóxido de carbono temprano, protegiendo su familia de los peligros del monóxido de carbono.

Nota: Para obtener la máxima protección, use alarmas de CO en cada nivel y en cada habitación de su hogar.

NUNCA IGNORE EL SONIDO DE LA ALARMA!

Determinar el tipo de alarma que sonó es fácil con su alarma de monóxido de carbono X-Sense. La sirena de alarma le informará del tipo de situación que esta ocurriendo.



ADVERTENCIA:

Activación de su alarma de CO indica la presencia de monóxido de carbono (CO) lo que puede matarlo.

Que Hacer Cuando Suena la Alarma de Monóxido de Carbono:

1. Presione el botón de prueba/reinicio.
2. Llame a sus servicios de emergencia (Departamento de bomberos, o 911).

NÚMERO DE TELÉFONO

3. Muévase inmediatamente a un área con aire fresco – al exterior o junto a una puerta/ventana. Cuente todas las personas para estar seguro que todos se tienen en cuenta. No vuelva a entrar al lugar ni se aleje de la puerta/ventana abierta hasta que los servicios de emergencia hayan llegado, el lugar haya sido aireado y su alarma se quede en la condición de función normal.

NÚMERO DE TELÉFONO

4. Después de seguir los pasos de arriba 1-3, si su alarma se reactiva dentro de un periodo de 24 horas, repita los pasos 1-3 y llame a un técnico calificado en electrodomésticos para investigar las fuentes de CO de los equipos y aparatos que queman combustible, e inspeccionar el funcionamiento correcto de los equipos. Si se identifican problemas durante esta inspección, repare el equipo inmediatamente. Haga nota de cualquier equipo de combustión que no haya sido inspeccionado por el técnico y consulte las instrucciones del fabricante, o hable directamente con los fabricantes para obtener más información sobre la seguridad de CO y el equipo en cuestión. Asegúrese que los vehículos no estén y no hayan estado operando en un garaje adjunto o adyacente a la residencia.

Especificaciones Técnicas

Alimento de Batería	Batería de litio sellada de 10 años
Tipo de sensor	Electroquímico
Vida útil del producto	Como 10 años
Estándares de Seguridad	UL 2034
Sensibilidad de CO	70 ppm: 60-240 minutos
	150 ppm: 10-50 minutos
	400 ppm: 4-15 minutos
Corriente de Espera	< 6 μ A (promedio)
Corriente de Alarma	< 60 mA (promedio)
Mejor funcionamiento de temperatura ambiente	4,4-37,8 °C (40-100 °F)
Humedad Relativa de Operación	\leq 85% RH (sin-condensación)
Volumen de la Alarma	\geq 85 dB a 3 metros (9,84 pies) @ 3,2 \pm 0,3 kHz alarma pulsante
Duración de Silencio	\leq 6 minutos

Descripción del Producto



¡PRECAUCIÓN!

ESTA ALARMA DE CO ESTÁ DISEÑADA PARA USO EN INTERIORES SOLAMENTE. NO LA EXPONGA A LA LLUVIA NI A LA HUMEDAD. NO LA CHOQUE NI DEJE CAER LA ALARMA. NO ABRA NI MANOSEE LA ALARMA, POR QUE PODRÍA CAUSAR MAL FUNCIONAMIENTO.

Botón de Prueba Silencio

El botón de Prueba & Silencio es usado para probar los componentes electrónicos de la unidad y para silenciar la unidad durante una alarma. Cuando pruebe la alarma semanalmente, presione el botón de prueba hasta que escuche un pitido corto, lo que indica que la alarma ha entrado en el modo de prueba.

Nota: Después de que haya comenzada la prueba, la alarma sonará y la luz roja de LED parpadeara. Esto no indica que el CO esté presente.

Si presiona el botón de prueba durante el estado de alarma, la unidad entrará el modo de silencio.

Modo de Silencio de CO: Presione el botón de prueba durante un estado de alarma, la unidad entrara el modo de silencio. Si la densidad de CO todavía excede el limite de la alarma en 6 minutos, la unidad entrara a otro estado de alarma. Si no, la unidad saldrá del modo de silencio después de 9 minutos.

Nota: Si la concentración de CO alcanza un nivel de alarma, el modo de silencio no se puede habilitar. Esta unidad continuará con la alarma hasta que la concentración de CO haya disminuido a un nivel bajo.

Sirena de Alarma

La alarma sonará cuando haya CO presente, al probar la alarma y cuando haya un fallo.

Indicador LED

El indicador LED parpadeará junto con la sirena de la alarma. Por lo tanto, parpadeará durante los siguientes estados: cuando se enciende, en el modo de espera, durante los estados de alarma de CO, al salir de un estado de alarma, durante el modo de prueba, cuando tiene poca batería, en modo de silencio, cuando hay un fallo y cuando la unidad está al final de su vida.

Batería Baja

El indicador LED parpadeará en amarillo junto con un pitido cada 60 segundos.

LA UNIDAD DEBE SER DESACTIVADA. (lea la sección “Desactivación de la alarma”) Y REEMPLAZAR LO MAS PRONTO POSIBLE.

(Si presiona el botón de prueba cuando la batería esta baja, la señal de batería baja parará temporalmente por 10 horas; si presiona el botón de prueba otra vez, la unidad entrará al modo de prueba y luego al modo de espera.)

Fin de Vida Útil

Una vez que se alcanza la vida útil máxima (10 años), la alarma emite 2 pitidos y el indicador parpadeará en amarillo dos veces cada 30 segundos. Esta señal del final de vida útil puede ser silenciada temporalmente por 3 días al presionar el botón de prueba.

La función de silencio al final de la vida útil solo se puede usar por un total de 30 días. Después de 30 días, la señal de fin de vida útil no puede silenciarse.

En la siguiente tabla se muestran los diferentes estados y modos de operación:

Modo	Indicador LED	Alarma Audible	Notas
Encendiendo	Parpadea 8 ciclos (rojo/verde/amarillo) en secuencia.	Ninguna.	
Modo de espera	Parpadea verde una vez cada 60 segundos.	Ninguna.	
Modo de alarma	Primeros 4 minutos: parpadea rojo 4 veces cada 5,8 segundos. Después de 4 minutos: parpadea rojo 4 veces cada 60 segundos.	Primeros 4 minutos: 4 bips cortos cada 5,8 segundos. Después de 4 minutos: 4 bips cortos cada 60 segundos.	
	Parpadea verde una vez cada segundo por 5 segundos.	Ninguna.	Salir del modo de alarma: cuando la concentración de CO disminuye a un nivel menor al umbral de alarma, la alarma se detiene.
Modo de prueba	2 sets de 4 parpadeos rojos.	2 sets de 4 bips cortos.	
Modo de silencio	Parpadea rojo una vez cada 5 segundos.	Ninguna.	Después de 9 minutos, la unidad saldrá del modo de silencio.
	Parpadea verde 3 veces.	Ninguna.	Saliendo del modo de silencio.

Batería baja	Parpadea amarillo una vez cada 60 segundos.	Un bip cada 60 segundos.	
Error	Parpadea amarillo 1-4 veces cada 40 segundos.	2 bips cada 40 segundos.	
Fin de vida útil	Parpadea amarillo 2 veces cada 30 segundos.	2 bips cada 30 segundos.	

Información Básica de Seguridad

IMPORTANT!

1. LOS PELIGROS, ADVERTENCIAS, Y PRECAUCIONES LO ALERTAN A INSTRUCCIONES DE FUNCION IMPORTANTES O A SITUACIONES POTENCIALMENTE PELIGROSAS. PRESTE ATENCION ESPECIAL A ESTAS SITUACIONES.
2. ESTA ALARMA DE MONÓXIDO DE CARBONO SOLO ESTÁ APROBADA PARA EL USO EN EL HOGAR.
3. ESTA ALARMA DE MONOXIDO DE CARBONO ESTA DISEÑADA PARA DETECTAR MONOXIDO DE CARBONO DE CUALQUIER FUENTE DE COMBUSTION.
4. LAS EXPOSICIONES CONSTANTES A LA HUMEDAD ALTA O BAJA PUEDEN REDUCIR LA VIDA UTIL DE LA BATERIA.

¡PRECAUCION!

LA ALARMA DE MONÓXIDO DE CARBONO NO ESTÁ DISEÑADA PARA DETECTAR NINGÚN OTRO GAS. SÓLO INDICARÁ LA PRESENCIA DE GAS DE MONÓXIDO DE CARBONO EN EL SENSOR. EL GAS DE MONÓXIDO DE CARBONO PUEDE ESTAR PRESENTE EN OTRAS ÁREAS.

¡ADVERTENCIA!

1. NUNCA IGNORE NINGUNA ALARMA. FALTA DE RESPONDER PUEDE RESULTAR EN DAÑO GRAVE O MUERTE.
2. LA FUNCION DE SILENCIO ES SOLO PARA SU CONVENENCIA Y NO CORREGIRA UN PROBLEMA. SIEMPRE REVISE SU CASA POR UN PROBLEMA POTENCIAL DESPUES DES CUALQUIER ALARMA. FALLA DE HACERLO PUEDE RESULTAR EN DAÑO O MUERTE.
3. PRUEBA ESTE CO ALARMA UNA VEZ A LA SEMANA. SI LA ALARMA FALLA A PROBAR CORRECTAMENTE, ¡REEMPLAZELA INMEDIATAMENTE! SI LA ALARMA NO FUNCIONA CORRECTAMENTE, NO ALERTARA DE UN PROBLEMA.
4. ESTE PRODUCTO ESTA DISEÑADO PARA USO EN UN UBICACIONES INTERIORES ORDINARIAS DE LAS UNIDADES DE VIVIENDA DE FAMILIA. NO ESTA DISEÑADO A MEDIR NIVELES DE CO EN CUMPLIMIENTO CON LAS NORMAS COMERCIALES O INDUSTRIALES DE LA ADMINISTRACION DE SEGURIDAD Y SALUD (OSHA). INDIVIDUOS CON CONDICIONES MEDICAS QUE PUEDEN HACERLOS MAS SENSIBLES AL MONOXIDO DE CARBONO PUEDEN CONSIDERAR USAR APARATOS DE ADVERTENCIA QUE PROPORCIONEN SEÑALES AUDIBLES Y VISUALES PARA LAS CONCENTRACIONES DE MONOXIDO DE CARBONO A MENOS DE 30 PPM. PARA INFORMACION ADICIONAL SOBRE EL MONOXIDO DE CARBONO Y SU CONDICION MEDICA, COMUNIQUESE CON SU MEDICO.

5. LA FECHA DE REEMPLAZAMIENTO QUE APARECE EN EL APARATO ES LA FECHA MAS ALLA DE LA QUE EL APARATO PUEDE NO DETECTAR MONOXIDO DE CARBONO Y DEBE REEMPLAZARLO INMEDIATAMENTE.
6. ESTE APARATO ESTA DISEÑADO PARA PROTEGER A INDIVIDUOS DE LOS EFECTOS AGUDOS DE LA EXPOSICION DE MONOXIDO DE CARBON. NO PUEDE COMPLETAMENTE ASEGURAR A INDIVIDUOS CON CONDICIONES MEDICAS ESPECIFICAS. EN CASO DE DUDA, CONSULTE A UN MEDICO.

Instrucciones de Instalación

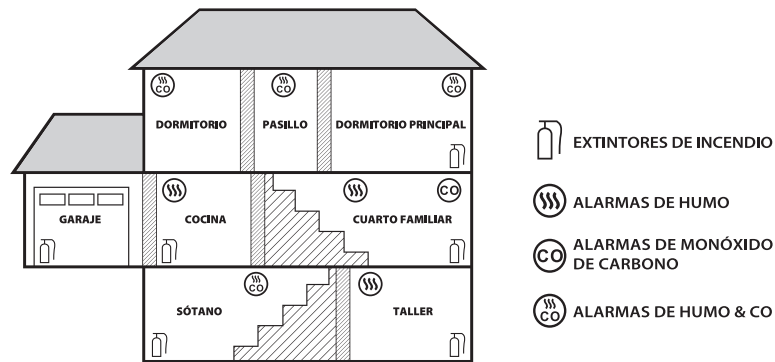
Al elegir la ubicación de instalación, asegúrese que pueda escuchar la alarma en todas las áreas de dormir. Si solo instala una alarma de CO en su casa, instale la alarma cerca de los todos los dormitorios, donde sea posible, y no la instale en un sótano o en cuarto con horno.

1. Una alarma de CO debe ser ubicada centralmente afuera de cada lugar de dormir a la proximidad inmediata de todos los dormitorios. Para mayor protección, instale mas alarmas de CO en cada cuarto separado y en cada nivel de su casa.
2. Si el pasillo de su dormitorio es mas largo que 12 metros (40 pies), instale una alarma de CO en AMBOS finales del pasillo.
3. En casa de un piso, instale aunque sea una alarma de CO cerca o dentro de cada lugar de dormir. Para mayor protección, instale una alarma de CO adicional al menos de 6 metros (20 pies), lejos de cualquier horno o fuente de calor que quemé combustible.
4. En casas de varios pisos, además de lo arriba mencionado (Punto 3), instale al menos una alarma de CO cerca o dentro de cada lugar de dormir. Para mayor protección, instale al menos una alarma de CO en cada piso de la casa. Si tiene un sótano, instale una alarma de CO arriba de las escaleras del sótano.

Colocación Recomendada

⚠ ¡ADVERTENCIA!

1. ESTA ALARMA DEBE DE SER INSTALADO POR UNA PERSONA COMPETENTE.
2. LA INSTALACIÓN DE ESTA ALARMA NO DEBE SER USADA COMO UN SUBSTITUTO DE LA INSTALACIÓN, USO O MANTENIMIENTO ADECUADO DE OTROS APARATOS QUE QUEMAN COMBUSTIBLES INCLUYENDO VENTILACIÓN ADECUADA Y SISTEMAS DE ESCAPE.



Nota: en las cocinas deben instalarse detectores de humo con modo de silencio.

Como Instalar Esta Alarma

¡IMPORTANTE!

ESTA ALARMA DE CO ESTÁ DISEÑADA PARA SER MONTADA EN EL TECHO O EN LA PARED.

¡ADVERTENCIA!

ERRORES AL INSTALAR Y ACTIVAR LA ALARMA ADECUADAMENTE IMPEDIRÁ EL FUNCIONAMIENTO ADECUADO DE LA ALARMA Y NO ACTIVARÁ SU RESPUESTA AL CO.

Ubicaciones que Evitar

ADVERTENCIA -Este producto esta diseñado para uso en un ubicaciones interiores ordinarias de las unidades de vivienda de familia. No esta diseñado a medir cumplimiento con las normas comerciales o industriales de la Administración de Seguridad y Salud (OSHA).

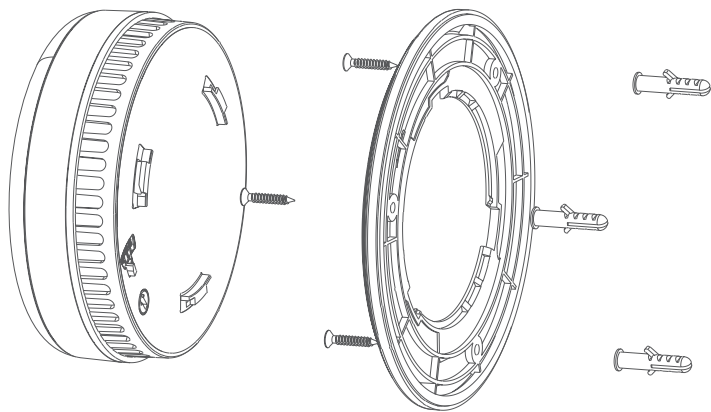
1. No la instale en garajes, cocinas, cuartos de calderas o baños. No lo instale a menos de 1,5 metros o 5 pies de distancia de cualquier aparato de cocina.

2. No la instale dentro de 0,9 metros (3 pies) de los siguientes lugares: la puerta de la cocina o un baño que contenga una bañera o ducha, tuberías de suministro de aire forzado usados para calentar o enfriar, ventiladores de techo o ventilación de toda la casa u otras áreas de alto nivel de flujo de aire. Evite las áreas excesivamente polvosas, sucias o grasosas. El polvo, la grasa o los productos químicos de casa pueden contaminar los sensores de la alarma, haciendo que la alarma no funcione correctamente.
3. Coloque la alarma donde cortinas u otros objetos no bloqueen los sensores. El CO debe poder alcanzar los sensores para detectar con precisión estas condiciones. No la instale en picos de techos abovedados, techos con marco "A" o techos a dos aguas. Mantenerla lejos de áreas húmedas y mojadas.
4. Instale al menos de 0,3 metros o un pie de distancia de luces fluorescentes, ya que el ruido electrónico podría causar alarmas molestas. No la coloque a la luz directa del sol y manténgala lejos de áreas infectadas de insectos. Las temperaturas extremas afectarán la sensibilidad de la alarma de CO. No la instale en áreas donde la temperatura sea más fría que 4,4 °C (40 °F) o más caliente que 37,8 °C (100 °F) como los garajes o sótanos que no están terminados. No la instale en áreas donde la humedad relativa (HR) sea mas alta de 85%. Colocar lejos de puertas y ventanas que se abran hacia el exterior.

Pasos de Montaje

1. Perfore tres hoyos de Ø 6,0 mm en la pared o el techo, luego inserte tres tapones de anclaje de plástico en los hoyos con un martillo.
2. Fije el soporte de montaje a la superficie de la pared o el techo con tres tornillos y monte la alarma en el soporte presionándolos y girando la unidad según las agujas del reloj.
3. Pruebe la unidad usando el botón Prueba/Silencio. Asegúrese de que la unidad suena en forma de alarma.

Nota: Este modelo está equipado con una característica que automáticamente activa la alarma cuando la alarma se conecta al soporte de montaje de soporte la primera vez.



Desactivación de la Alarma

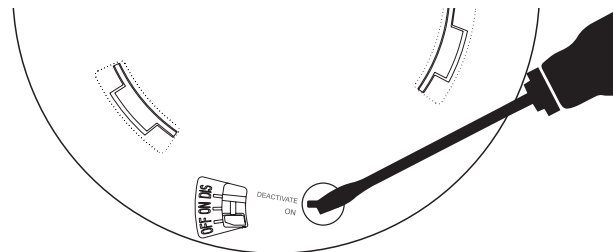
⚠ ¡ADVERTENCIA!

1. NO DESACTIVE LA UNIDAD DE ALARMA HASTA QUE ESCUCHE LA SEÑAL DE FINAL DE VIDA ÚTIL.
2. UNA VEZ QUE ALCANZE LA VIDA MÁXIMA (10 AÑOS), LA ALARMA EMITIRÁ 2 PITIDOS CADA 30 SEGUNDOS.
3. UNA VEZ QUE LA ALARMA SEA DESACTIVADA, YA NO FUNCIONARÁ. NO PUEDE SER REACTIVADA Y DEBE SER REEMPLAZADA.

Para Desactivar la Alarma

Presionar el botón de Prueba/Silencio puede silenciar la señal de final de vida útil por 3 días.

1. Despegue la etiqueta sombreada que obstruye el ajuste "DIS" y rompa el protector de plástico delgado, como se muestra abajo.
2. Gire la clavija de plástico hacia arriba hasta la posición "DIS" o inserte un destornillador en el espacio y gire el disco en el sentido del reloj hasta la posición "DIS".
3. Deseche la alarma.
4. Reemplace la alarma.



Prueba Semanal

¡ADVERTENCIA!

1. NUNCA UTILICE UNA LLAMA ABIERTA DE NINGUN TIPO PARA PROBAR ESTA UNIDAD. PODRIA ACCIDENTALMENTE DAÑAR O HACER INCENDIO A LA UNIDAD O LA CASA.
2. NUNCA UTILICE EL ESCAPE DE UN VEHICULO PARA PROBAR ESTA UNIDAD. LOS VAPORES DE ESCAPE PUEDEN CAUSAR DAÑOS PERMANENTE Y ANULAR SU GARANTIA.
3. NO SE PARE CERCA DE LA ALARMA CUANDO LA ALARMA ESTA SONANDO. EXPOSICION A CORTA DISTANCIA PUEDE DAÑAR A SU AUDICION. CUANDO HAGA LA PRUEBA, ALEJESE DE LA ALARMA CUANDO EMPIEZE A SONAR.

Mantenimiento

Para mantener su alarma de CO en buen estado de funcionamiento, siga estos pasos simples:

1. Compruebe la unidad una vez a la semana para verificar que el sonido de la alarma y que los indicadores están funcionando correctamente.
2. Retire la unidad del techo/pared y limpie la cubierta de la alarma y la abertura de ventilación con un cepillo suave una vez al mes para quitar el polvo y la suciedad.
3. Nunca use detergentes o disolventes para limpiar la alarma.
4. Evite rociar ambientadores, spray para el pelo u otros aerosoles cerca de la alarma.
5. No pinte la unidad. La pintura sellará las rejillas de ventilación e interferirá con la capacidad del sensor para detectar CO. Nunca intente desarmar la unidad o limpiar el interior. Eso anulará su garantía.
6. Cuando se retire, vuelva a colocar la alarma de CO en su ubicación adecuada tan pronto como sea posible, para garantizar una protección continua contra la intoxicación por monóxido de carbono.

7. Cuando se usen productos de limpieza de casa o contaminantes similares, el área debe estar ventilada.

Si Suenan la Alarma de CO

1. Mantenga la calma y muévase inmediatamente al aire fresco. Abra todas las puertas y ventanas para aumentar la velocidad de ventilación. Pare de usar todos los aparatos que queman combustible y asegúrese, si es posible, que estén apagados, por ejemplo, para aparatos de gas, aislar la válvula de control de emergencia.
2. Si la alarma continúa siendo activada, evacue el lugar. Deje todas las puertas y ventanas abiertas, y solo vuelva a entrar al edificio hasta que la alarma haya detenido. En lugares de varias ocupaciones y de varios pisos, asegúrese de que todos los ocupantes estén alertados del riesgo.
3. Obtenga ayuda médica para cualquier persona que sufra los efectos de la intoxicación por monóxido de carbono y avise que se sospecha inhalación de monóxido de carbono.
4. Llame a la agencia de mantenimiento y/o mantenimiento de electrodomésticos apropiado o, cuando sea necesario, al proveedor de combustible correspondiente a su número de emergencia o al Proveedor nacional de emergencia de gas, si es adecuado, para que la fuente de emisiones de monóxido de carbono pueda ser identificada y corregida. A menos que la razón de la alarma sea obviamente falsa, no vuelva a usar los aparatos que queman combustibles, hasta que hayan sido revisados y aprobados por una persona competente de acuerdo con las regulaciones nacionales.

Lo que Necesita Saber sobre el CO

CO no puede ver, oler o probar y puede ser fatal. La acumulación de CO en la sangre se llama carboxihemoglobina (COHb) e interfiere la capacidad del cuerpo para suministrarse oxígeno. Dependiendo de la concentración, CO puede matar en minutos. Las fuentes más comunes de CO son aparatos de gas para calentar y cocinar que están fallando, vehículos que estén corriendo en el garaje adjunto a la casa, chimeneas o tiros bloqueados, calentadores portátiles de combustión, chimeneas, herramientas que usan combustible y el uso de parilla en un área cerrada.

Las indicaciones de intoxicación por monóxido de carbono incluyen síntomas similares a los de la gripe, pero sin fiebre. Otros síntomas incluyen mareos, fatiga, debilidad, dolor de cabeza, náuseas, vómitos, sueño y desorientación. Todas las personas son susceptibles al peligro de CO, pero los expertos afirman que los bebés en el vientre, niños pequeños, mujeres embarazadas, las personas mayores y las personas con problemas cardíacos o respiratorios tienen el mayor riesgo de daño grave o muerte. Cada año, un técnico calificado debe inspeccionar y limpiar su sistema de calefacción, conductos de ventilación, chimenea, y conductos de tiro.

Los siguientes síntomas están relacionados con la intoxicación con monóxido de carbono y deben ser discutidos con todos los miembros de la casa:

Exposición leve: Dolor de cabeza leve, náuseas, vómitos, fatiga (a menudo descrita como síntomas "similares a los de la gripe").

Exposición mediana: dolor de cabeza intenso y pulsante, somnolencia, ritmo cardíaco acelerado.

Exposición extrema: Pérdida de consciencia, fallo cardiorrespiratorio, muerte.

Los niveles de exposición enumerados arriba se refieren a adultos sanos. Los niveles difieren para aquellos en alto riesgo. La exposición a altos niveles de monóxido de carbono pueden ser fatal o causar daños y discapacidades permanentes. Muchos casos reportados de intoxicación con monóxido de carbono indican que mientras las víctimas que están conscientes de que no están bien, se desorientan a tal extremo que son incapaces de salvarse a si mismas ya sea saliendo del edificio o pidiendo ayuda. Además, los niños pequeños y las mascotas domesticas pueden ser los primeros afectados. Es importante familiarizarse con los efectos de cada nivel.

Las siguientes condiciones pueden causar situaciones transitorias de CO:

- Derrame excesivo o revertir la ventilación de los aparatos que queman combustible causado por las condiciones ambientales del exterior, como la dirección y/o la velocidad del viento, incluyendo ráfagas altas de viento, aire pesado en las tuberías de ventilación (aire frío/húmedo con periodos prolongados entre los ciclos).
- Presión negativa resultante del uso de ventiladores de escape.
- Operación simultaneo de varios aparatos que queman combustible y que compiten por un aire interno limitado.
- Conexiones de los tubos de ventilación que vibran sueltos en las secadoras de ropa, hornos o calentadores de agua.
- Obstrucciones, o diseños que no son convencionales, de tubos de ventilación que pueden amplificar las situaciones mencionadas arriba.

- Operación extendida de aparatos de combustión sin ventilación (estufa, horno, chimenea, etc.).
- Inversiones de temperatura que pueden atrapar gases de escape cerca del suelo.
- Un carro corriendo en un garaje adjunto abierto o cerrado, o cerca de una casa.

Comisión de Seguridad de Productos del Consumidor

La Comisión de Seguridad de Productos del Consumidor [Consumer Product Safety Commission (CPSC)] recomienda el uso de al menos una alarma de CO por hogar, localizada cerca del área de dormir.

Información de Fabricante y Servicio

X-Sense Innovations Co., Ltd.

Dirección: B4-503-D, Torre B, Parque de las Ciencias Kexing, Calle Keyuan No. 15, Comunidad Parque Tecnológico, Avenida Yuehai, Distrito Nanshan, Shenzhen, 518057, CHINA

Correo Electronico: support@x-sense.com